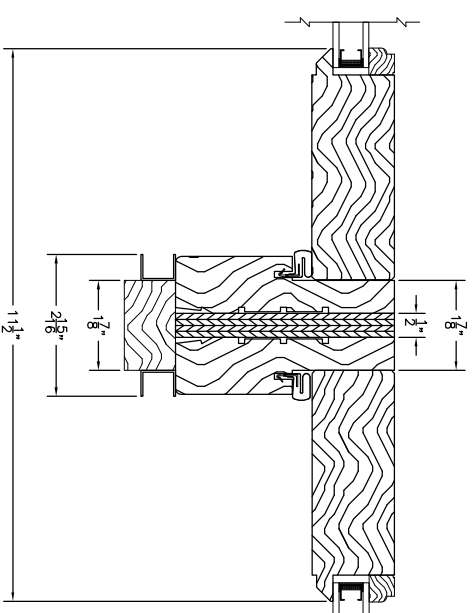
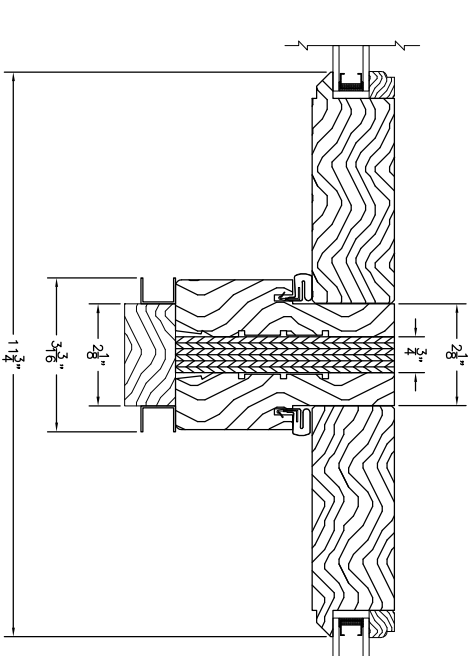


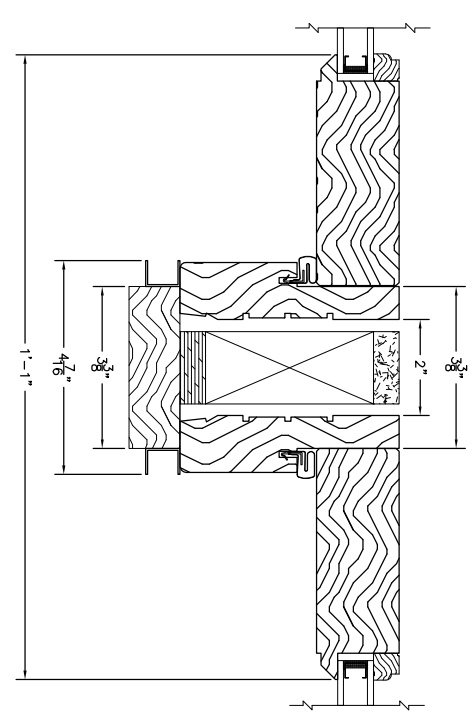
VERTICAL MULL



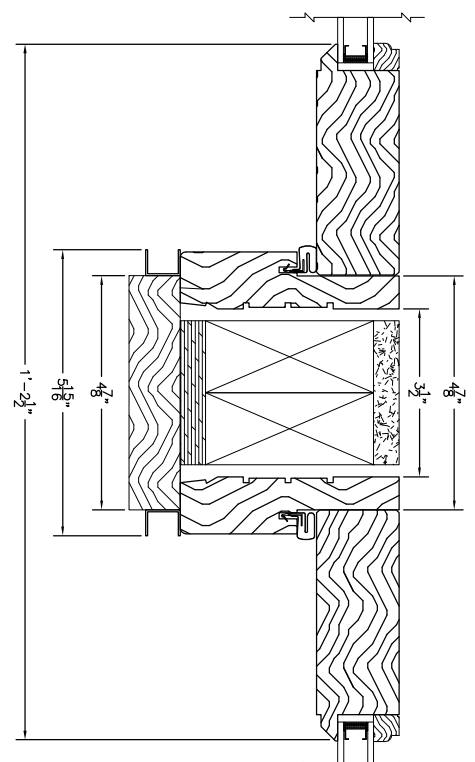
1/2" VERTICAL MULL



3/4" VERTICAL MULL



2" VERTICAL MULL



4" VERTICAL MULL



WOOD INSWING VERTICAL MULL OPTIONS - HORIZONTAL SECTION  
 SCALE: 3" = 1' 0"  
**LINCOLN WOOD PRODUCTS, INC.**  
 1400 W. TAYLOR ST. MERRILL WI 54452 (715) 536-2461