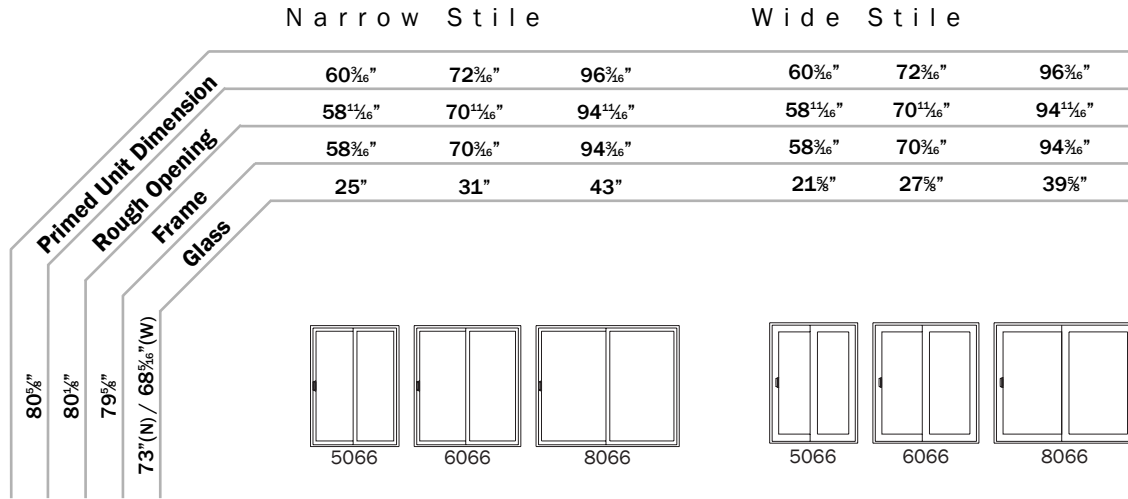
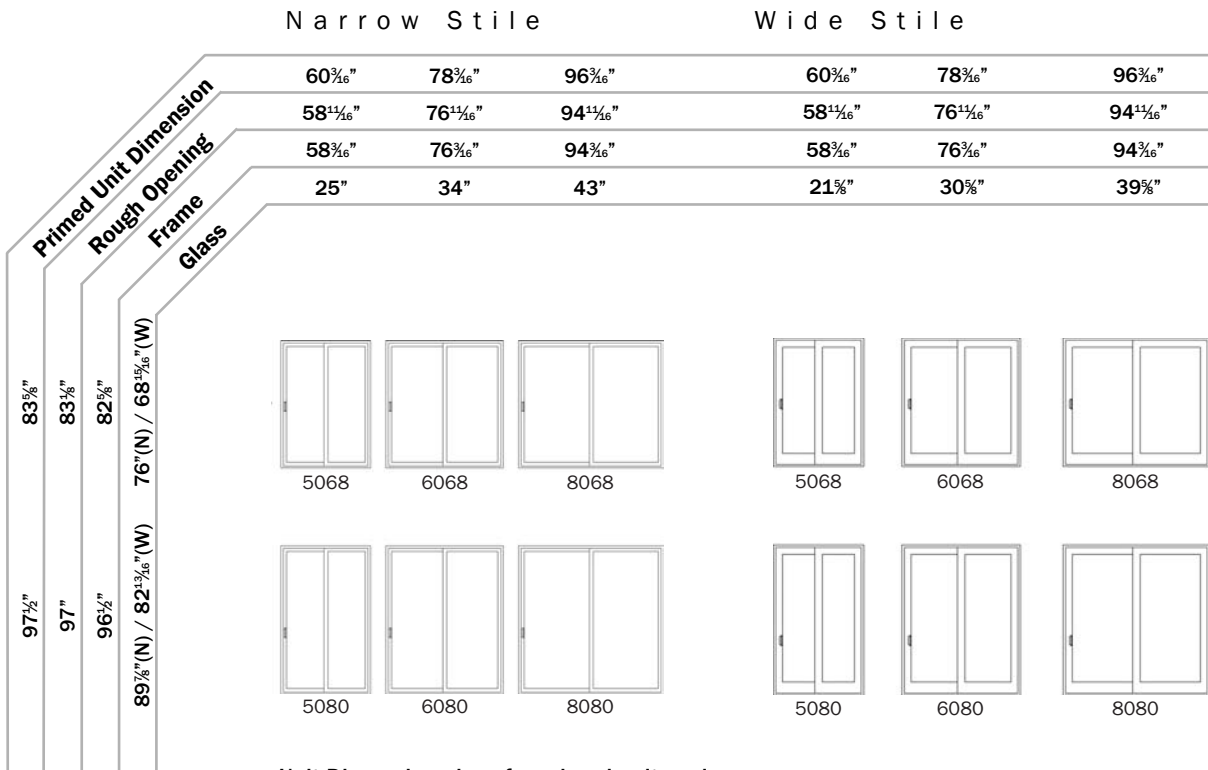


# Sliding Patio Doors: 6/6 Height



# Sliding Patio Doors: 6/8 and 8/0 Door Heights



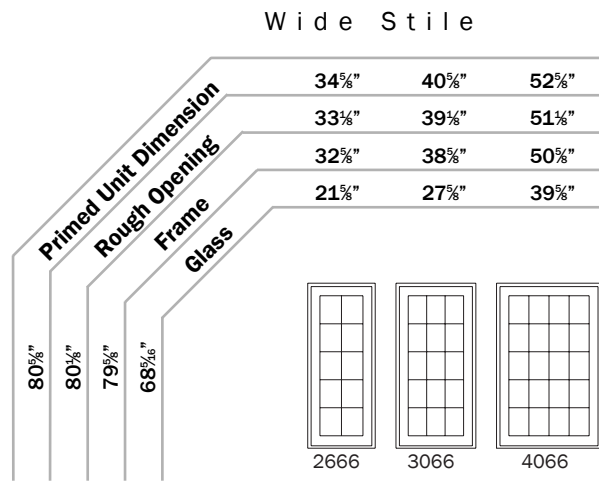
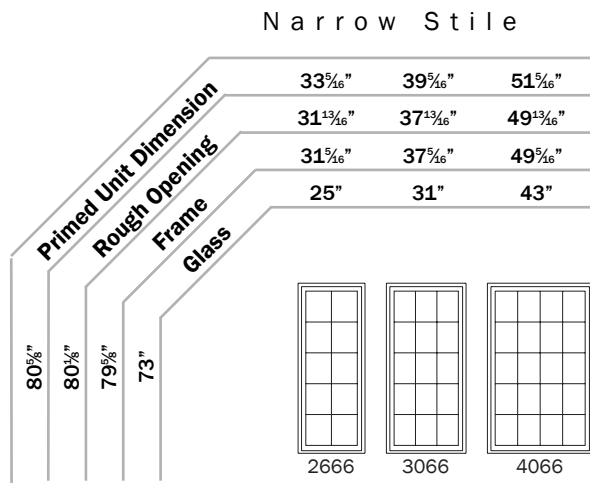
Unit Dimension given for primed units only

Clad Unit Dimension is identical to Frame Size

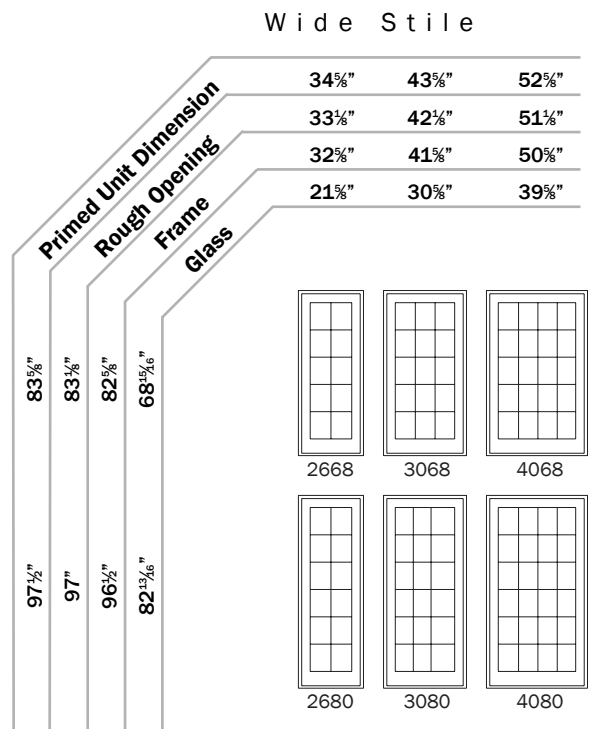
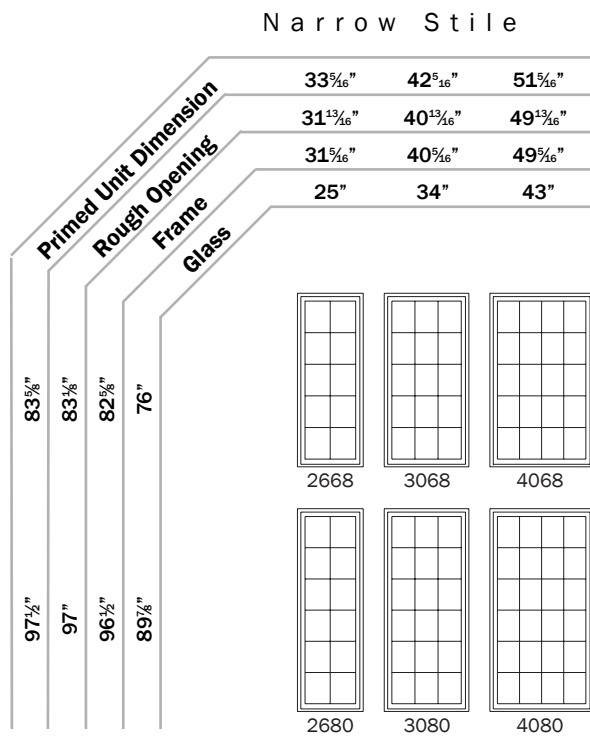
Masonry Opening: Recommended minimum of Unit or Frame Dimension plus 1/4"

Standard lite division depicted on single panel side lites

# Sliding Patio Door Single Panel Side Lites 6/6 Replacement Sizes




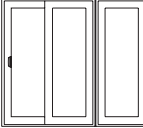
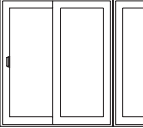
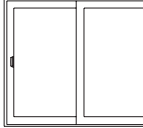


# Sliding Patio Door Single Panel Side Lites 6/8 and 8/0 Heights



# 3 - Wide Primed and Clad Sliding Patio Doors

## 6/6 Replacement Sizes

		Narrow Stile			Wide Stile		
<b>Primed Unit Dimension</b> <b>Rough Opening</b> <b>Frame</b> <b>Glass</b>	80½"	91½"	109½"	145½"	92 <sup>13</sup> / <sub>16</sub> "	110 <sup>13</sup> / <sub>16</sub> "	146 <sup>13</sup> / <sub>16</sub> "
	80"	90"	108"	144"	91 <sup>5</sup> / <sub>16</sub> "	109 <sup>5</sup> / <sub>16</sub> "	145 <sup>5</sup> / <sub>16</sub> "
	79"	89½"	107½"	143½"	90 <sup>13</sup> / <sub>16</sub> "	108 <sup>13</sup> / <sub>16</sub> "	144 <sup>13</sup> / <sub>16</sub> "
	73" (N) / 68 <sup>5</sup> / <sub>16</sub> " (W)	25"	31"	43"	21 <sup>5</sup> / <sub>8</sub> "	27 <sup>5</sup> / <sub>8</sub> "	39 <sup>5</sup> / <sub>8</sub> "
							
		7666	9066	12066	7666	9066	12066

# 3 - Wide Primed and Clad Sliding Patio Doors

## 6/8 and 8/0 Heights

		Narrow Stile			Wide Stile		
<b>Primed Unit Dimension</b> <b>Rough Opening</b> <b>Frame</b> <b>Glass</b>	83½"	91½"	118½"	145½"	92 <sup>13</sup> / <sub>16</sub> "	119 <sup>13</sup> / <sub>16</sub> "	146 <sup>13</sup> / <sub>16</sub> "
	83⅛"	90"	117"	144"	91 <sup>5</sup> / <sub>16</sub> "	118 <sup>5</sup> / <sub>16</sub> "	145 <sup>5</sup> / <sub>16</sub> "
	82⅝"	89½"	116½"	143½"	90 <sup>13</sup> / <sub>16</sub> "	117 <sup>13</sup> / <sub>16</sub> "	144 <sup>13</sup> / <sub>16</sub> "
	76" (N) / 68 <sup>5</sup> / <sub>16</sub> " (W)	25"	34"	43"	21 <sup>5</sup> / <sub>8</sub> "	30 <sup>5</sup> / <sub>8</sub> "	39 <sup>5</sup> / <sub>8</sub> "
							
		7668	9068	12068	7668	90FS68	12068
							
		7680	9080	12080	7680	90FS80	12080

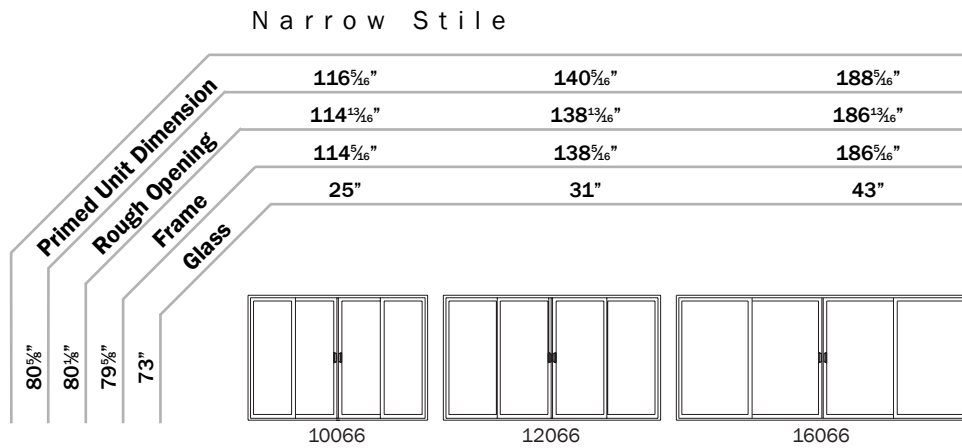
Unit Dimension given for primed units only

Clad Unit Dimension is identical to Frame Size

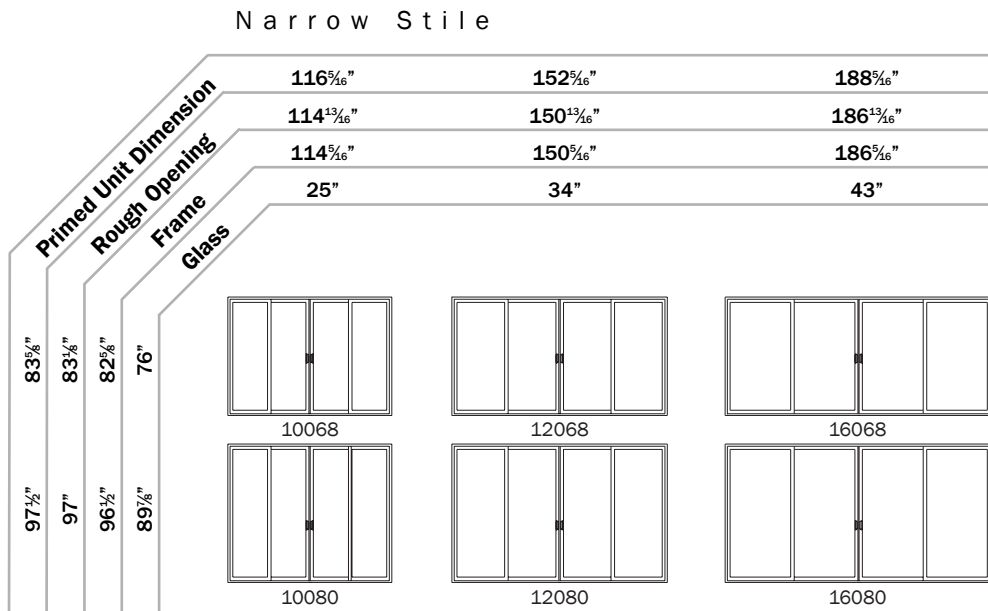
Masonry Opening: Recommended minimum of Unit or Frame Dimension plus ¼"

Standard lite division depicted on single panel side lites

## 4 - Wide Primed and Clad Sliding Patio Doors: 6/6 Replacement Height



## 4 - Wide Primed and Clad Sliding Patio Doors: 6/8 and 8/0 High Doors



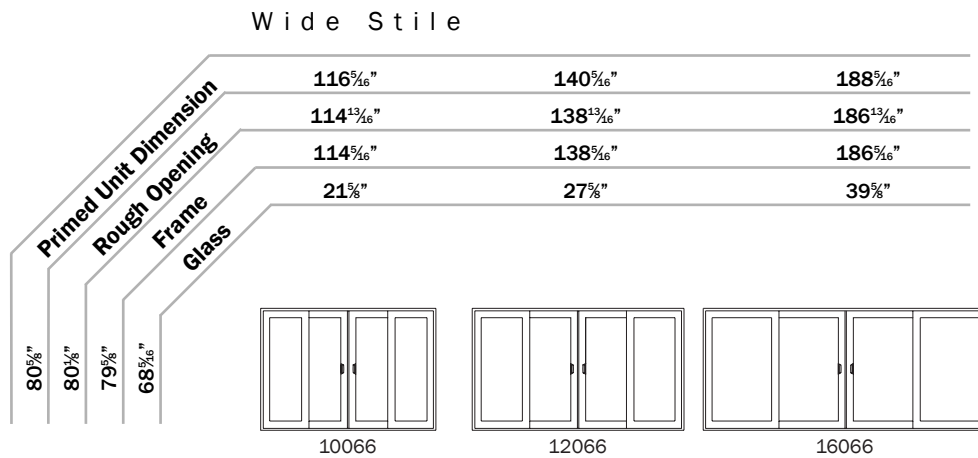
Unit Dimension given for primed units only

Clad Unit Dimension is identical to Frame Size

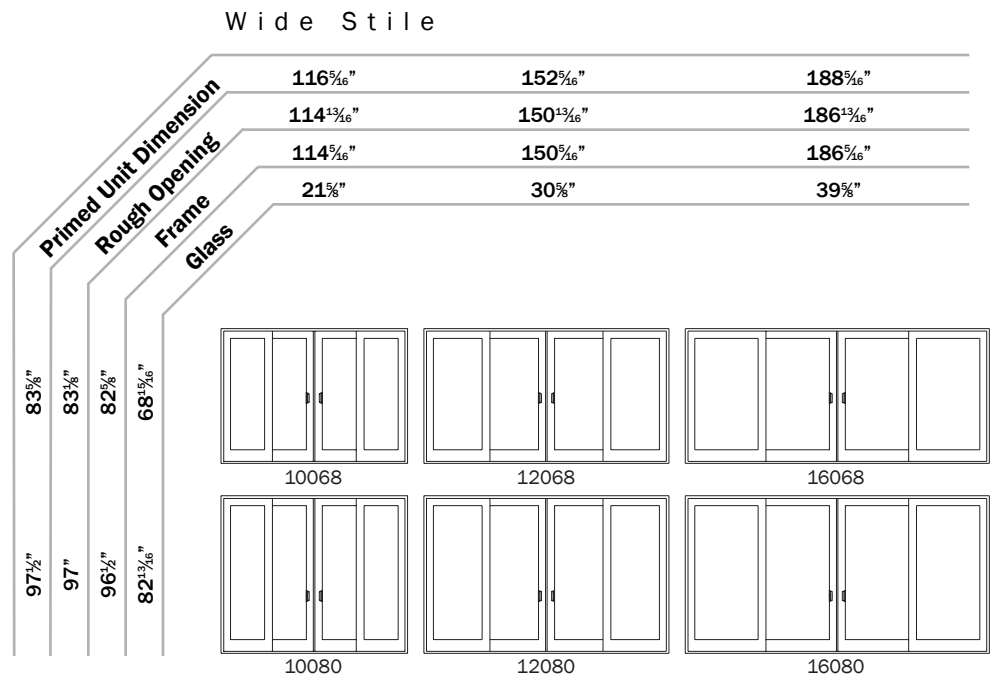
Masonry Opening: Recommended minimum of Unit or Frame Dimension plus  $\frac{1}{4}$ "

Standard lite division depicted on single panel side lites

# 4 - Wide Primed and Clad Sliding Patio Doors: 6/6 Replacement Height



# 4 - Wide Primed and Clad Sliding Patio Doors: 6/8 and 8/0 High Doors



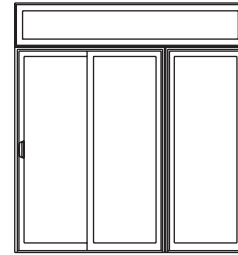
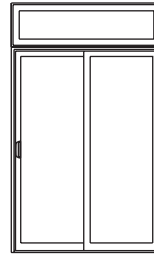
Unit Dimension given for primed units only

Clad Unit Dimension is identical to Frame Size

Masonry Opening: Recommended minimum of Unit Dimension plus 1/4"

Standard lite division depicted on single panel side lites

# Sliding Patio Door Transom Unit Charts



Frame Height	Width			
	Glass	2' 7 <sup>5</sup> / <sub>16</sub> "	4' 10 <sup>3</sup> / <sub>16</sub> "	7' 5 <sup>1</sup> / <sub>2</sub> "
		<b>1 - 26</b>	<b>2 - 50</b>	<b>3 - 76</b>
1'-1"	8	SLT1-26/08-1	SLT2-50/08-1	SLT3-76/08-1
1'-5"	12	SLT1-26/12-1	SLT2-50/12-1	SLT3-76/12-1
1'-9"	16	SLT1-26/16-1	SLT2-50/16-1	SLT3-76/16-1
2'-1"	20	SLT1-26/20-1	SLT1-50/20-1	SLT3-76/20-1

Frame Height	Width			
	Glass	3' 1 <sup>5</sup> / <sub>16</sub> "	5' 10 <sup>3</sup> / <sub>16</sub> "	8' 10 <sup>1</sup> / <sub>2</sub> "
		<b>1 - 30</b>	<b>2 - 60</b>	<b>3 - 90</b>
1'-1"	8	SLT1-30/08-1R	SLT2-60/08-1R	SLT3-90/08-1R
1'-5"	12	SLT1-30/12-1R	SLT2-60/12-1R	SLT3-90/12-1R
1'-9"	16	SLT1-30/16-1R	SLT2-60/16-1R	SLT3-90/16-1R
2'-1"	20	SLT1-30/20-1R	SLT1-60/20-1R	SLT3-90/20-1R

Frame Height	Width			
	Glass	3' 4 <sup>5</sup> / <sub>16</sub> "	6' 4 <sup>3</sup> / <sub>16</sub> "	9' 8 <sup>1</sup> / <sub>2</sub> "
		<b>1 - 30</b>	<b>2 - 60</b>	<b>3 - 90</b>
1'-1"	8	SLT1-30/08-1F	SLT2-60/08-1F	SLT3-90/08-1F
1'-5"	12	SLT1-30/12-1F	SLT2-60/12-1F	SLT3-90/12-1F
1'-9"	16	SLT1-30/16-1F	SLT2-60/16-1F	SLT3-90/16-1F
2'-1"	20	SLT1-30/20-1F	SLT1-60/20-1F	SLT3-90/20-1F

Frame Height	Width			
	Glass	4' 1 <sup>5</sup> / <sub>16</sub> "	7' 10 <sup>3</sup> / <sub>16</sub> "	11' 11 <sup>1</sup> / <sub>2</sub> "
		<b>1 - 40</b>	<b>2 - 80</b>	<b>3 - 120</b>
1'-1"	8	SLT1-40/08-1	SLT2-80/08-1	SLT3-120/08-1
1'-5"	12	SLT1-40/12-1	SLT2-80/12-1	SLT3-120/12-1
1'-9"	16	SLT1-40/16-1	SLT2-80/16-1	SLT3-120/16-1
2'-1"	20	SLT1-40/20-1	SLT1-80/20-1	SLT3-120/20-1